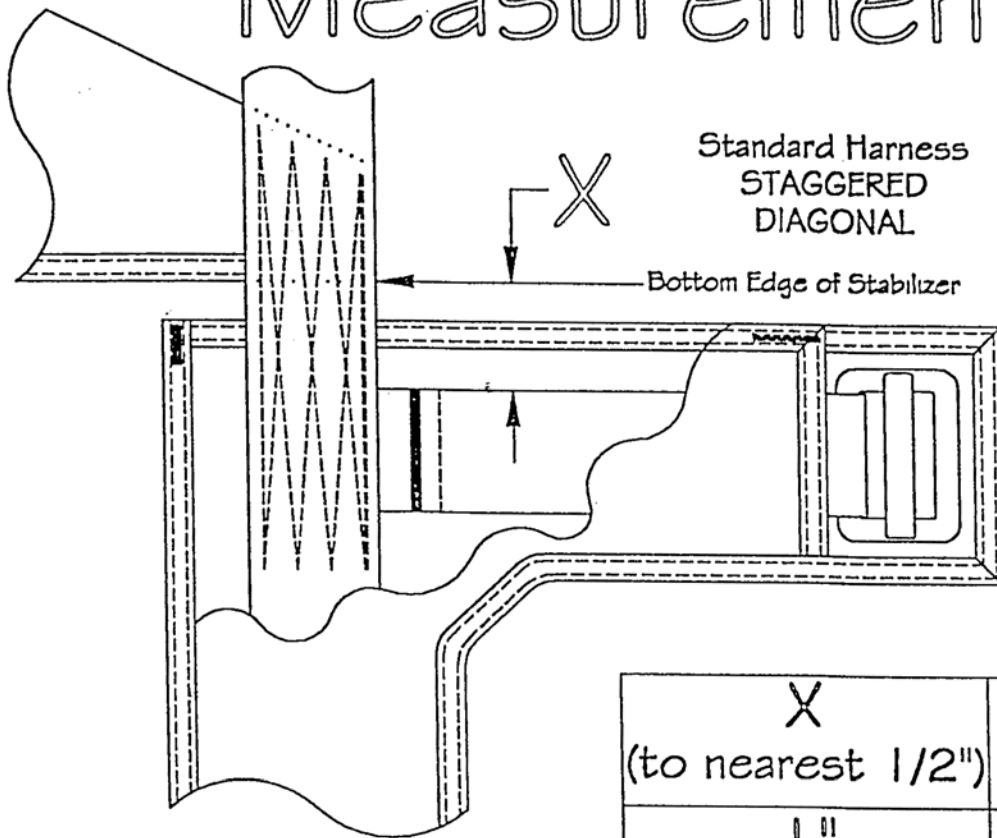
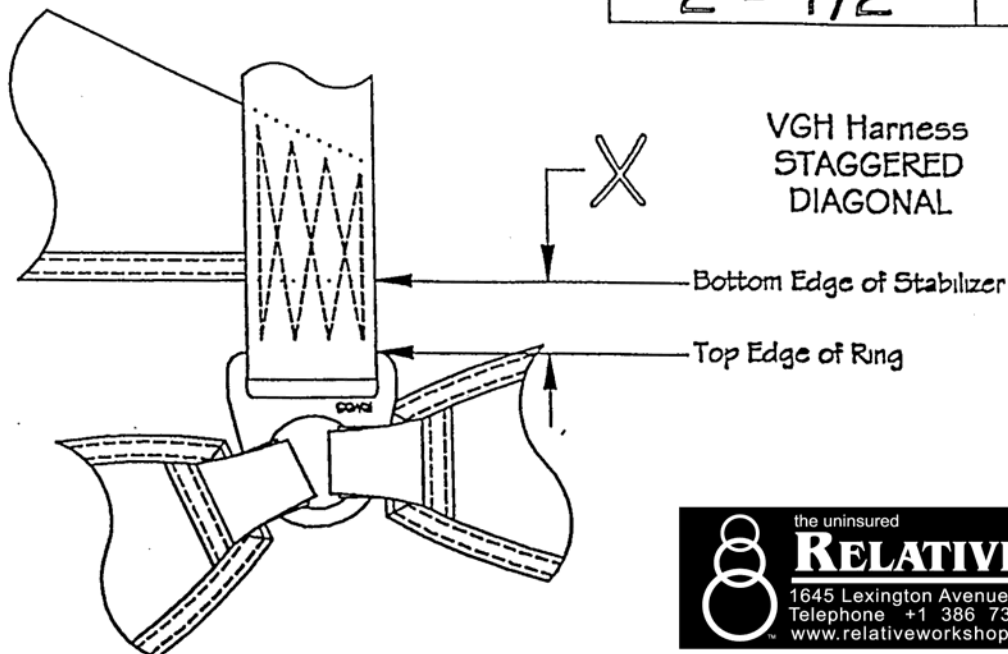


Vector II & III Stagger Measurement



X (to nearest 1/2")	Stagger Length
1"	1"
1 - 1/2 "	1 - 1/2 "
2"	2"
2 - 1/2 "	2 - 1/2 "



October 27, 1997

the uninsured
RELATIVE WORKSHOP inc
 1645 Lexington Avenue • DeLand FL 32724 - 2106 USA
 Telephone +1 386 736 7589 • Fax +1 386 734 7537
 www.relativeworkshop.com • rws@relativeworkshop.com